

TRI-POSITIONER COMPACT

**INTELLIGENTER
ELEKTRO-PNEUMATISCHER
POSITIONER (STELLUNGSREGLER)
(HART)**

**INTELLIGENT ELECTRIC-
PNEUMATICAL POSITIONER
(HART)**



Technische Daten

Für 90° Drehantriebe DA oder SR

Input Signal: 4 - 20 mA
 Luftversorgung: Max. 6 bar (optional bis 10 bar)
Nach ISO 8573-1
 max. Durchfluss: Siehe Tabelle (gefiltert, max. 5 my)
 Luftverbrauch: Siehe Tabelle
 Betriebstemperatur: -40° C bis + 80° C
 Schutzklasse: IP66
 El. Anschluss: Kabelverschraubung M20x1.5
 Ex-Schutz: Eigensicherheit nach ATEX/IECEX
 (optional als INMETRO, NEPSI, PESO, CNS, EAC, KCs, TIIS)
 Pneumatikanschlüsse: G ¼" (optional ¼ NPT)
 Antriebsaufbau: Nach NAMUR VDI/VDE 3845
 Gehäuse: Aluminium (Legierung Nr. 230)
 pulverbeschichtet
 Dichtungen: VMQ, PVMQ

Features:

- Mit HART 7-Kommunikation
- Explosionsschutz Eigensicherheit Ex i nach ATEX / IECEx
- Autostart mit Selbstkalibrierung
- Selbstdiagnose, Status- und Diagnosemitteilungen
- Einfache, lokale Bedienung mittels Drehrücksteller
- Extra großes, mehrsprachiges, Volltext Grafik-LCD

Optionen:

- Anschlussblock mit Manometern
- Ausführung mit erweiterter Diagnose und 4-20mA Rückmeldung (AD-Modell)
- Ausführung mit abgesetzter Montage (Remote) erhältlich
- Ausführung für Linearantriebe

Technical data

For 90° rotary actuators DA or SR

Input signal: 4 - 20 mA
 Air supply: Max. 6 bar (optionally up to 10 bar)
According to ISO 8573-1
 Max. flow: See table (filtered, max 5 my)
 Air consumption: See table
 Working temperature: -40° C to + 80° C
 Protection: IP66
 El. connection: Cable gland M20x1.5
 Ex-protection: Input safety according to ATEX/IECEX
 (optionally as INMETRO, NEPSI, PESO, CNS, EAC, KCs, TIIS)
 Pneumatic connections: G ¼" (optional ¼ NPT)
 Mounting: According to NAMUR VDI/VDE 3845
 Case: Aluminum (alloy no. 230)
 powder-coated
 Seal: VMQ, PVMQ

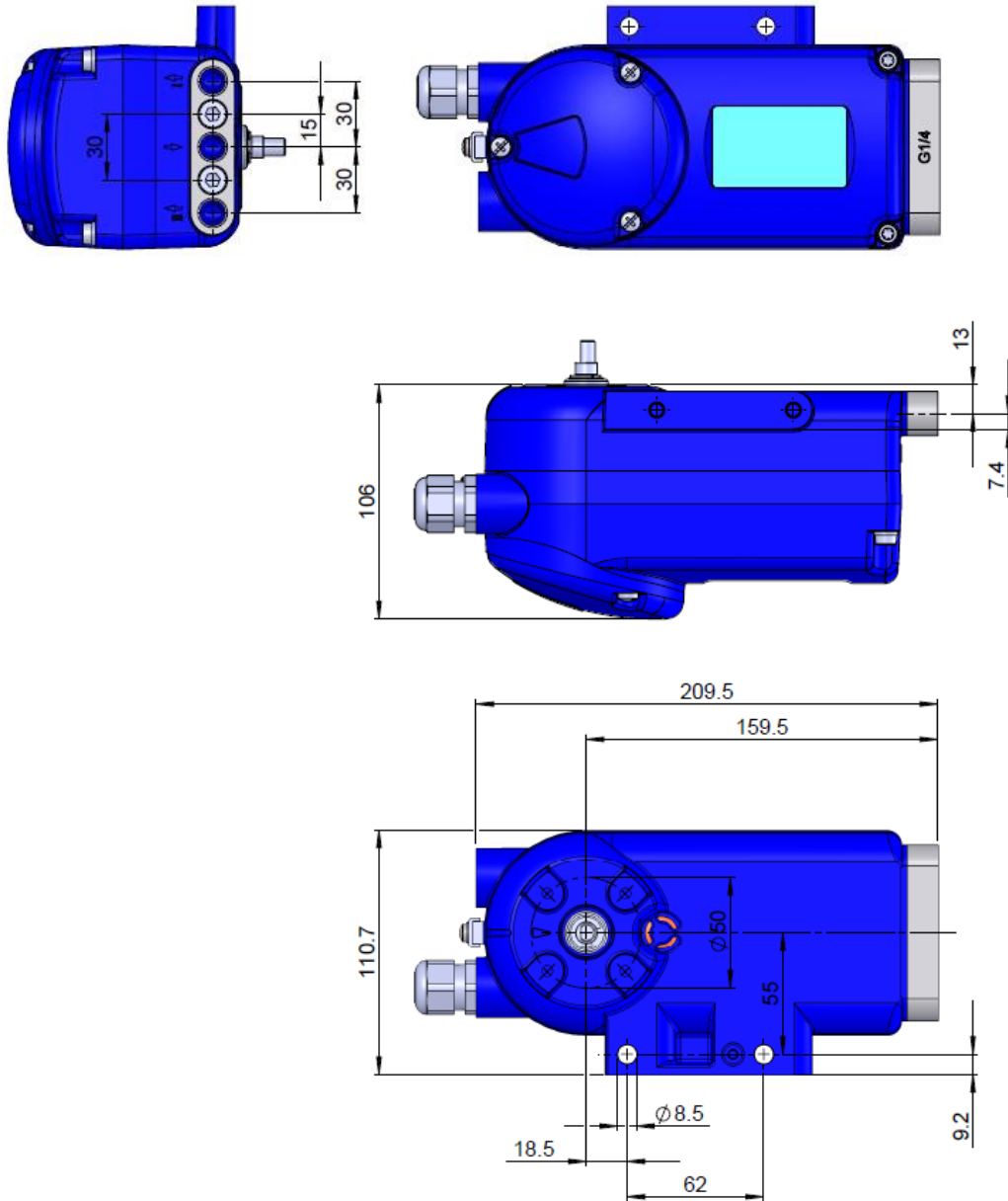
Features:

- With HART 7 communication
- Explosion protection: Intrinsic Safety Ex i according to ATEX / IECEx
- Auto-start with self-calibration
- Self diagnostics, status- and diagnostic messages
- Easy local operation with rotary pushbutton
- Extra-large Multi-Lingual full text graphical LCD

Options:

- Connection block with pressure gauges
- Version with extended diagnostics and 4-20mA feedback (AD model)
- Version with remote mounting available
- Version for linear actuators

TRI-POSITIONER COMPACT



No. TRI-MATIC	Bezeichnung / Description	Code	max. Durchfluss max. flow	Luftverbrauch Air consumption
1724126	EL.-PNEUMATISCHER POSITIONER DOUBLE ACTING DA	SRD998-HBD0-C0S-1SB07-A1	5000 NI/h	335 NI/h
1721682	EL.-PNEUMATISCHER POSITIONER SPRING RETURN SR	SRD998-HBD0-B0S-1SB07-A1	7000 NI/h	250 NI/h

* Inkl. Montagebügel und Mitnehmer für TD0.5 - TD8 / Incl. mounting bracket and entrainer for TD 0.5 - TD 8

Bitte fragen Sie unsere aktuellen Preise an!

Do not hesitate to contact us for current prices!



TRI-POSITIONER COMPACT

Intelligent Positioner Model Code SRD998	Model
Communication HART	H
Diagnostics Performance Basic Diagnostics Advanced Diagnostics	BD AD
Electrical In-Out Option No In-Out Option Universal In-Out Option	0 1
Version Single Acting Double Acting	B C
Pneumatic Performance Standard Pneumatic (6 bar max air supply) Standard Flow - High Performance Pneumatic (10 bar max air supply) High Flow - High Performance Pneumatic (Cv 0.58 - 10 bar max air supply) Very High Flow - High Performance Pneumatic (Cv 0.85 - 10 bar max air supply)	0 1 2 3
Fail in case of loss of power Fail safe	S
Housing Aluminium	1
Mounting Standard Direct mounting Remote Mounting of positioner with side mounting potentiometer unit Remote Mounting of positioner with top mounting potentiometer unit Remote Mounting of positioner w/o potentiometer unit (order potentiometer separately)	S T V W Y
Pneumatic Connection 1/4 NPT 1/4 G	A B
Gauges Without gauge With 2 standard gauges for single acting (a) With 2 Nickel plated gauges connection for single acting (a) With 3 standard gauges for double acting (b) With 3 Nickel plated gauges connection for double acting (b)	0 1 2 3 4
Electrical Connection M20x1.5 1/2 NPT (made with an adaptor)	7 8
Electrical Certification Without certification ATEX/IECEX: II 2G Ex ia IIC T6...T4 Gb; II 1D Ex ia IIIC (c) oder IIIB (d) T100°C Da ATEX/IECEX: II 2G Ex ib IIC T6...T4 Gb; II 2D Ex ib IIIC (c) oder IIIB (d) T100°C Db ATEX/IECEX: II 3G Ex ic IIC T6...T4 Gc; II 3D Ex ic IIIC (c) oder IIIB (d) T100°C Dc INMETRO: Ex ia IIC T4/T6 Gb, Ex ia IIIC T100°C Da, IP66 (c) INMETRO: Ex ib IIC T4/T6 Gb, Ex ib IIIC T100°C Db, IP66 (c) INMETRO: Ex ic IIC T4/T6 Gb, Ex ic IIIC T100°C Dc, IP66 (c) NEPSI: Ex ia IIC T4/T6 Ga, Ex iaD 20 T100 Da, IP66 (c) NEPSI: Ex ib IIC T4/T6 Gb, Ex ibD 21 T100 Db, IP66 (c) NEPSI: Ex ic IIC T4/T6 Gc, Ex icD 22 T100 Dc, IP66 (c) EAC: 1 Ex ia IIC T4/T6 Gb X, Ex ia IIIC T100°C Da (c) EAC: 1 Ex ib IIC T4/T6 Gb X, Ex ib IIIC T100°C Db (c) EAC: 2 Ex ic IIC T4/T6 Gc X, Ex ic IIIC T100°C Dc (c) CNS certification IS (c) (d) PESO certification IS (c) (e) KCs (Korean Certificate Safety): II 2G Ex ia IIC T4/T6 Gb, II 1D Ex ia IIIC T100°C Da (c) KCs (Korean Certificate Safety): II 2G Ex ib IIC T4/T6 Gb, II 2D Ex ib IIIC T100°C Db (c) KCs (Korean Certificate Safety): II 3G Ex ic IIC T4/T6 Gc, II 3D Ex ic IIIC T100°C Dc (c)	ZZ A1 A2 A3 B1 B2 B3 N1 N2 N3 G1 G2 G3 K1 K2 K3
Options Stainless Steel Label, fixed with wire	-L

Coding example: SRD998-HBD0-C0S-1SB07-A1

- a. Only to be ordered with single acting model code Version B.
- b. Only to be ordered with double acting model code Version C.
- c. For Model BD.
- d. The SRD998 has a CNS certificate for usage in Taiwan. Please order with ATEX/IECEX model code.
- e. The SRD998 has a PESO certificate for usage in India. Please order with ATEX/IECEX model code.