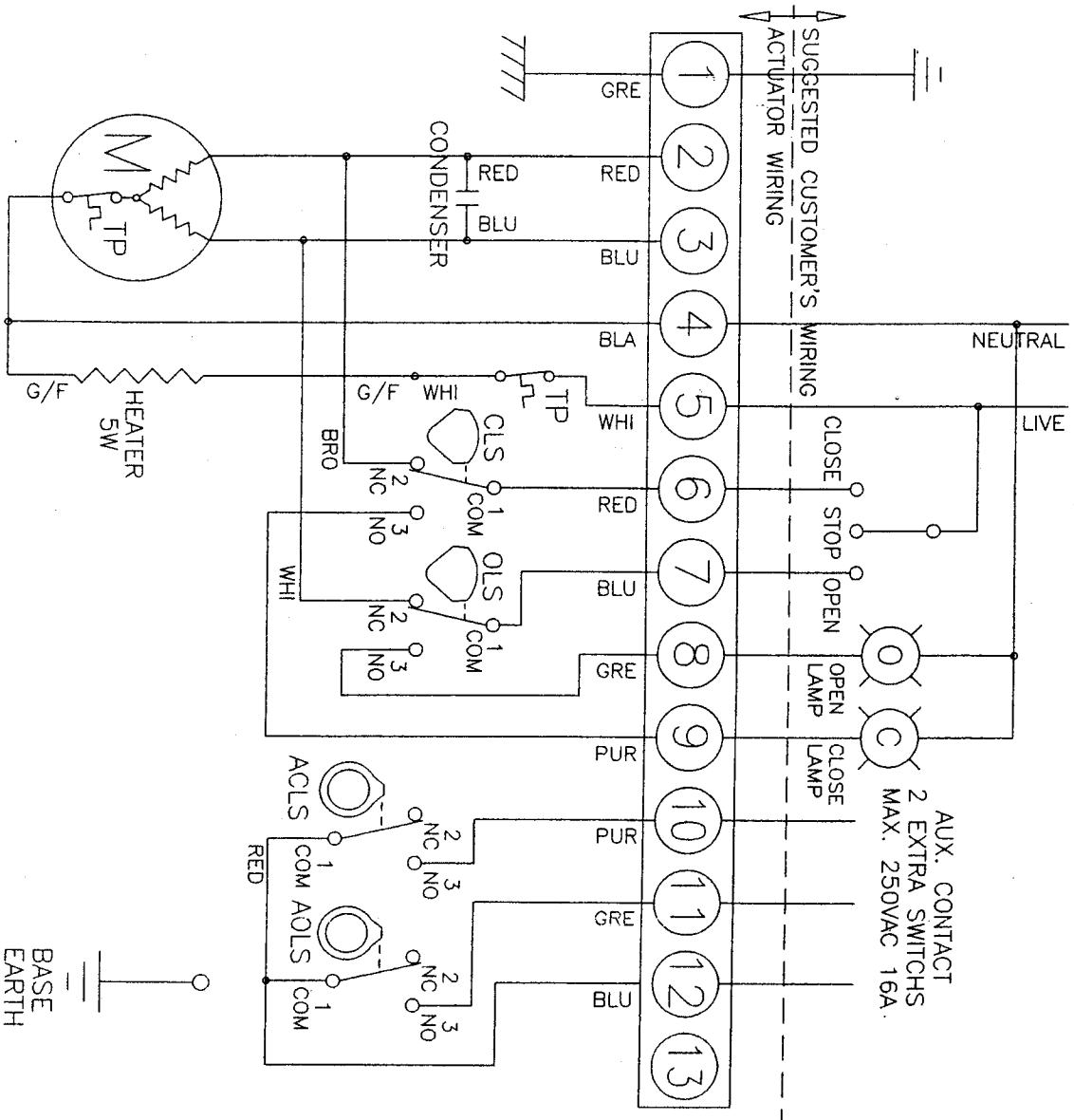


INCOMING POWER
AC 1PH (V)



TORQUE AND LIMIT SWITCH OPERATION
CLOSE → INTERMEDIATE → OPEN

SWITCH	CLOSE	INTERMEDIATE	OPEN
CLS 1-2			
CLS 1-3			
OLS 1-2			
OLS 1-3			

SYMBOL	DESCRIPTION	RATING
CLS	CLOSE LIMIT SWITCH	250VAC 10A
OLS	OPEN LIMIT SWITCH	250VAC 10A
TP	THERMAL PROTECTOR	250VAC 15A

*EACH ACTUATOR SHOULD BE POWERED THROUGH IT'S OWN INDIVIDUAL SWITCH OR RELAY CONTACTS TO PREVENT CROSS FEED BETWEEN TWO OR MORE ACTUATORS.

DRAW	P.S. KIM	CHECK
DESIGN	S.M. HAN	APPR.

PART NAME 1PH WIRING DIAGRAM
STANDARD
DWG. NO HQ-1200-A
ISSU. DEPT. HADR DATE 2003.12.20

HQ-008
APPLICATION
HKC
HK CONTROMATTIC CO., LTD.